

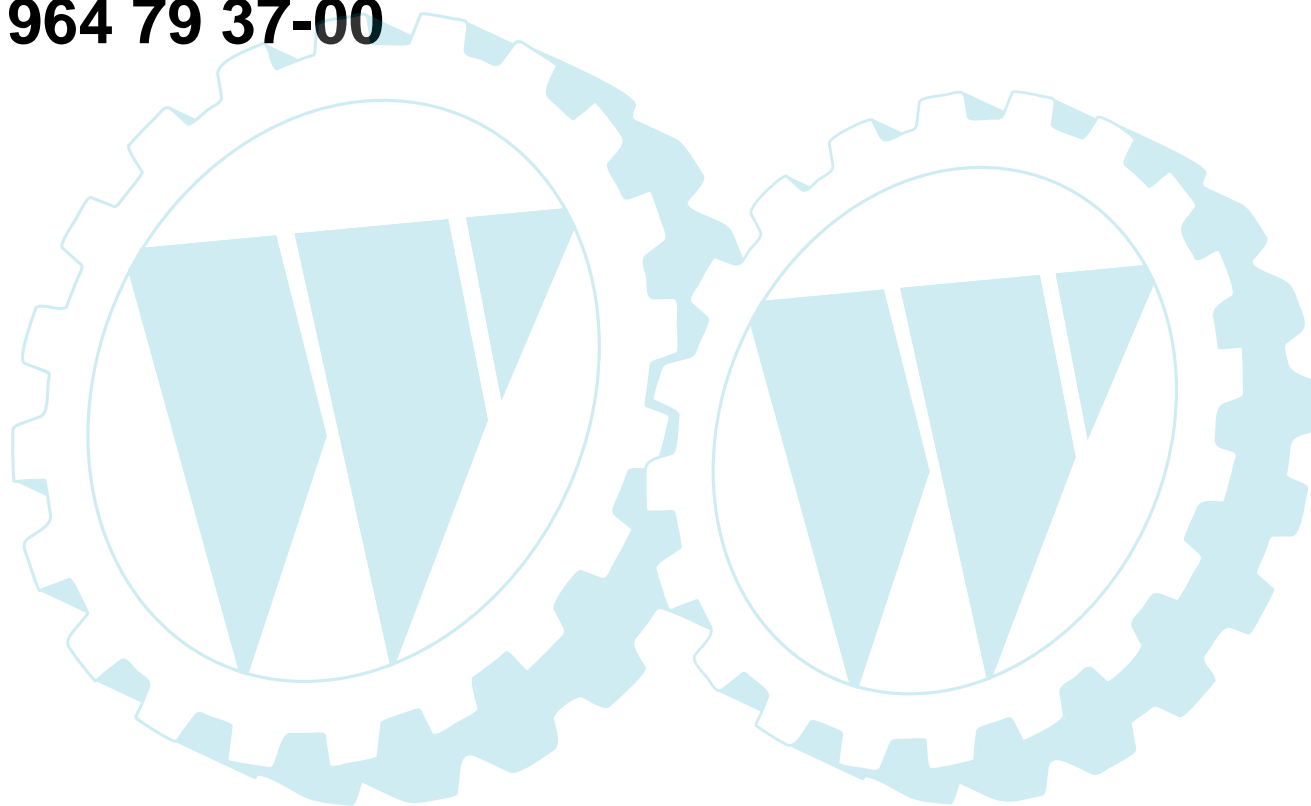
## **ILLUSTRATED PARTS BREAKDOWN**

**SENTAR**

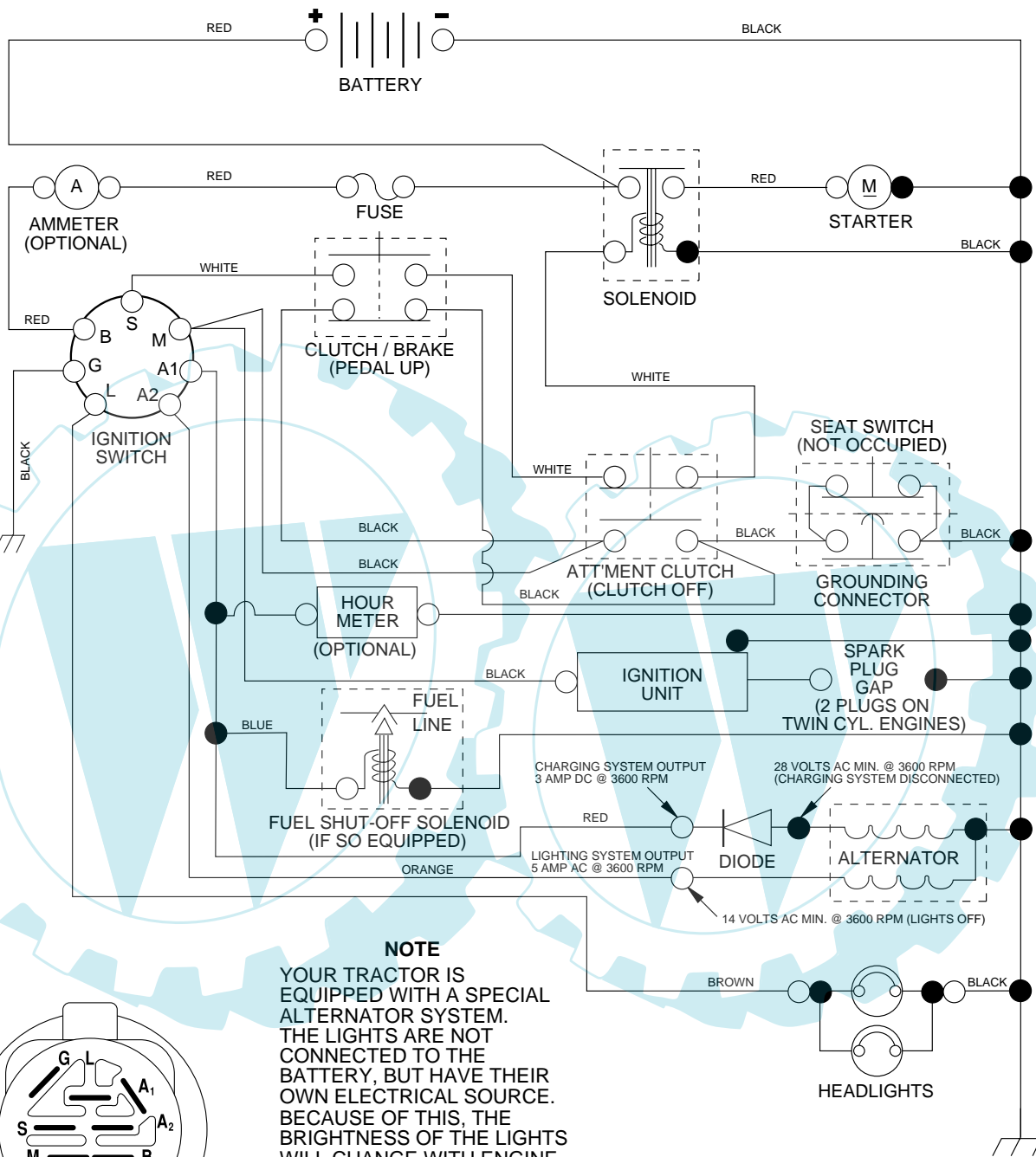
**13.5 HP LAWN TRACTOR**

**MODEL NO. 13536SBK (UN13592A)**

**964 79 37-00**

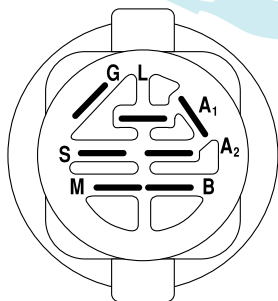


**TRACTOR - MODEL NO. 13536SBK (UN13592A), PRODUCT NO. 964 79 37-00  
SCHEMATIC**



**NOTE**

YOUR TRACTOR IS EQUIPPED WITH A SPECIAL ALTERNATOR SYSTEM. THE LIGHTS ARE NOT CONNECTED TO THE BATTERY, BUT HAVE THEIR OWN ELECTRICAL SOURCE. BECAUSE OF THIS, THE BRIGHTNESS OF THE LIGHTS WILL CHANGE WITH ENGINE SPEED. AT IDLE THE LIGHTS WILL DIM. AS THE ENGINE IS SPEEDED UP, THE LIGHTS WILL BECOME THEIR BRIGHTEST.



**IGNITION SWITCH**

POSITION	CIRCUIT	"MAKE"
OFF	M+G+A1	NONE
RUN/LIGHT	B+A1	A2+L
RUN	B+A1	NONE
START	B + S + A1	NONE

**WIRING INSULATED CLIPS**

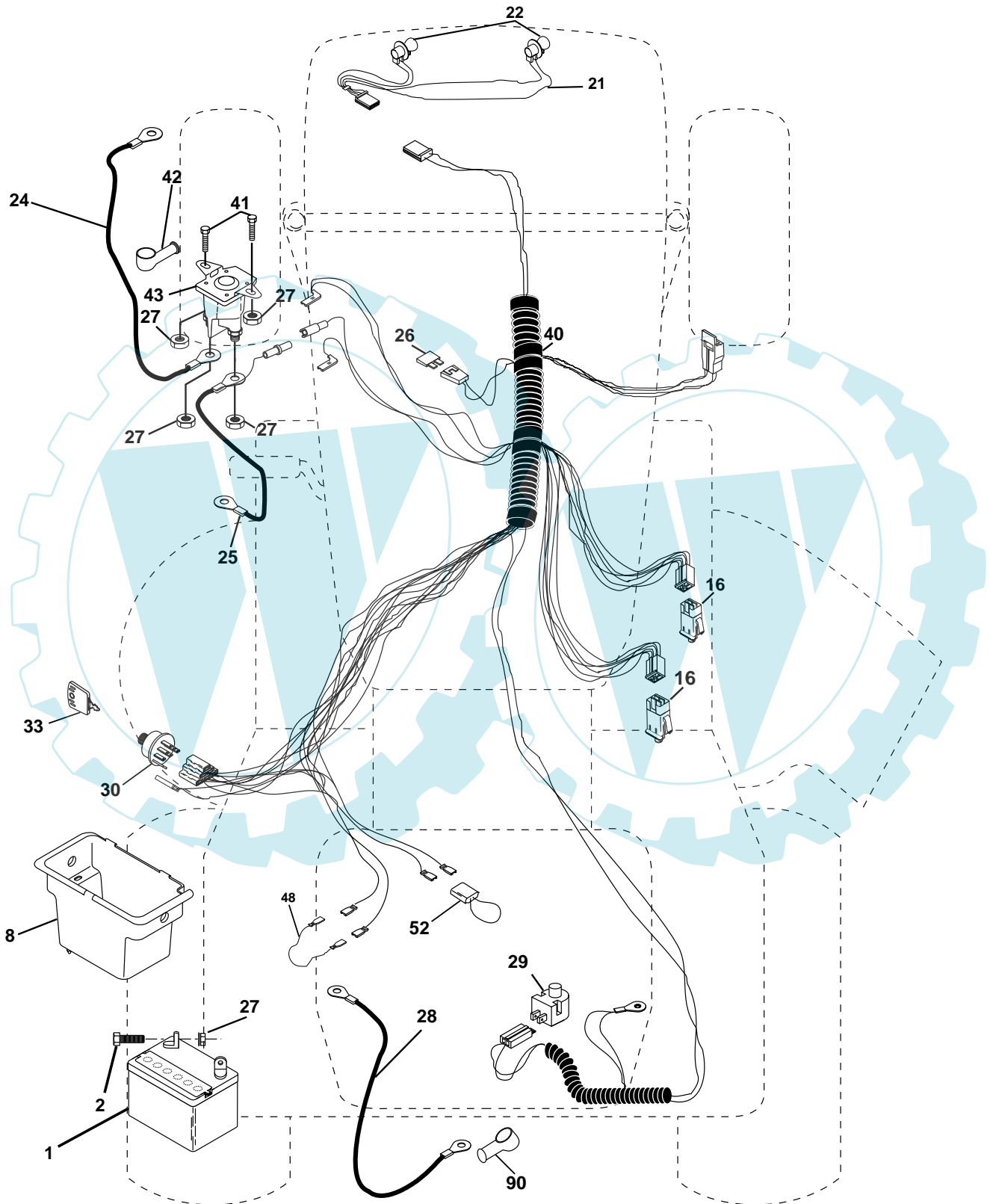
**NOTE:** IF WIRING INSULATED CLIPS WERE REMOVED FOR SERVICING OF UNIT, THEY SHOULD BE REPLACED TO PROPERLY SECURE YOUR WIRING.

NON-REMOVABLE CONNECTIONS

REMOVABLE CONNECTIONS

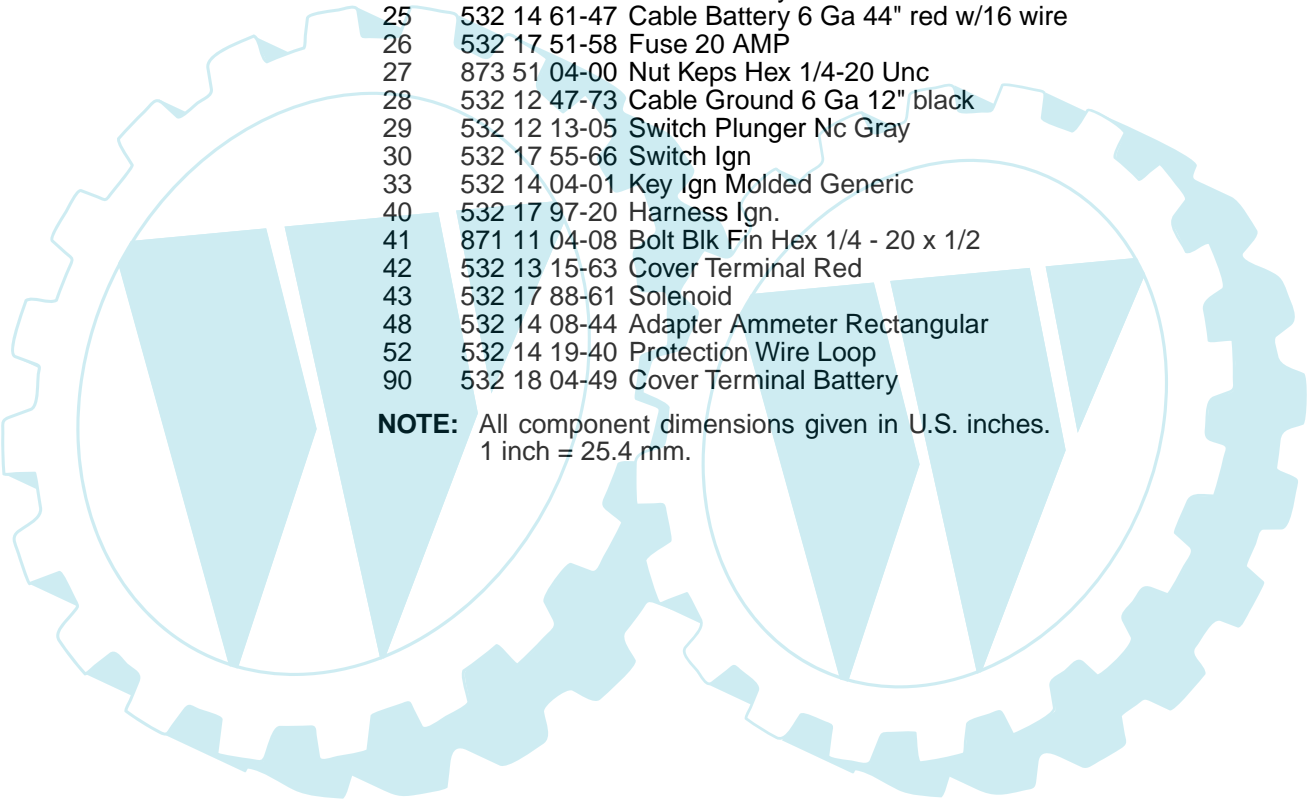
# REPAIR PARTS

TRACTOR - MODEL NO. 13536SBK (UN13592A), PRODUCT NO. 964 79 37-00  
ELECTRICAL



## REPAIR PARTS

TRACTOR - MODEL NO. 13536SBK (UN13592A), PRODUCT NO. 964 79 37-00  
ELECTRICAL

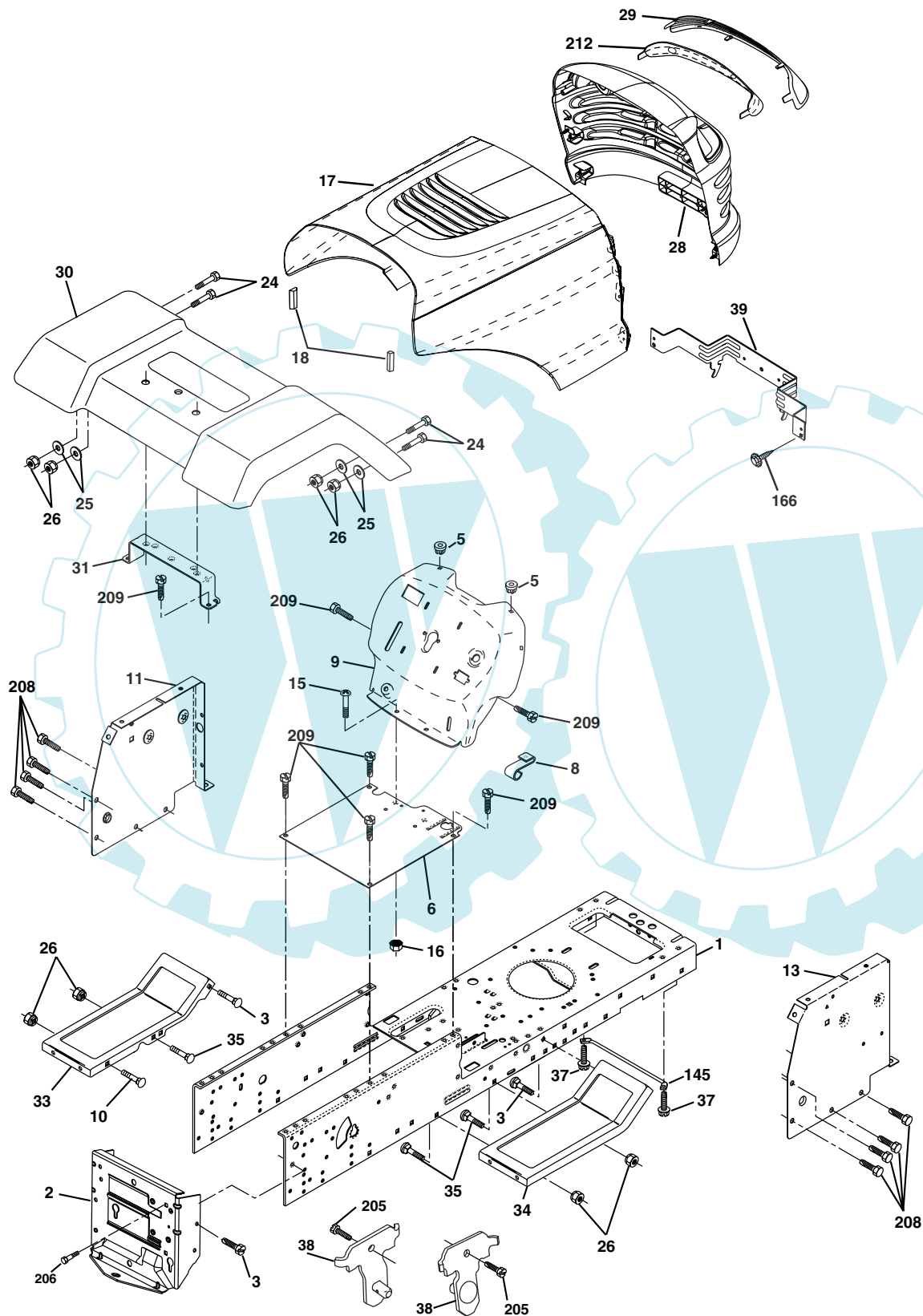


KEY NO.	PART NO.	DESCRIPTION
1	532 16 34-65	Battery 12 Volt 25 AMP
2	874 76 04-12	Bolt Hex Hd 1/4-20unc X 3/4
8	532 17 66-89	Box Battery
16	532 17 61-38	Switch Interlock Push-In
21	532 17 56-88	Harness Asm Light W/4152j
22	532 00 41-52	Bulb Light #1156
24	532 12 47-80	Cable Battery 6 Ga 11" red
25	532 14 61-47	Cable Battery 6 Ga 44" red w/16 wire
26	532 17 51-58	Fuse 20 AMP
27	873 51 04-00	Nut Keps Hex 1/4-20 Unc
28	532 12 47-73	Cable Ground 6 Ga 12" black
29	532 12 13-05	Switch Plunger Nc Gray
30	532 17 55-66	Switch Ign
33	532 14 04-01	Key Ign Molded Generic
40	532 17 97-20	Harness Ign.
41	871 11 04-08	Bolt Blk Fin Hex 1/4 - 20 x 1/2
42	532 13 15-63	Cover Terminal Red
43	532 17 88-61	Solenoid
48	532 14 08-44	Adapter Ammeter Rectangular
52	532 14 19-40	Protection Wire Loop
90	532 18 04-49	Cover Terminal Battery

**NOTE:** All component dimensions given in U.S. inches.  
1 inch = 25.4 mm.

# REPAIR PARTS

TRACTOR - MODEL NO. 13536SBK (UN13592A), PRODUCT NO. 964 79 37-00  
CHASSIS AND ENCLOSURES



## REPAIR PARTS

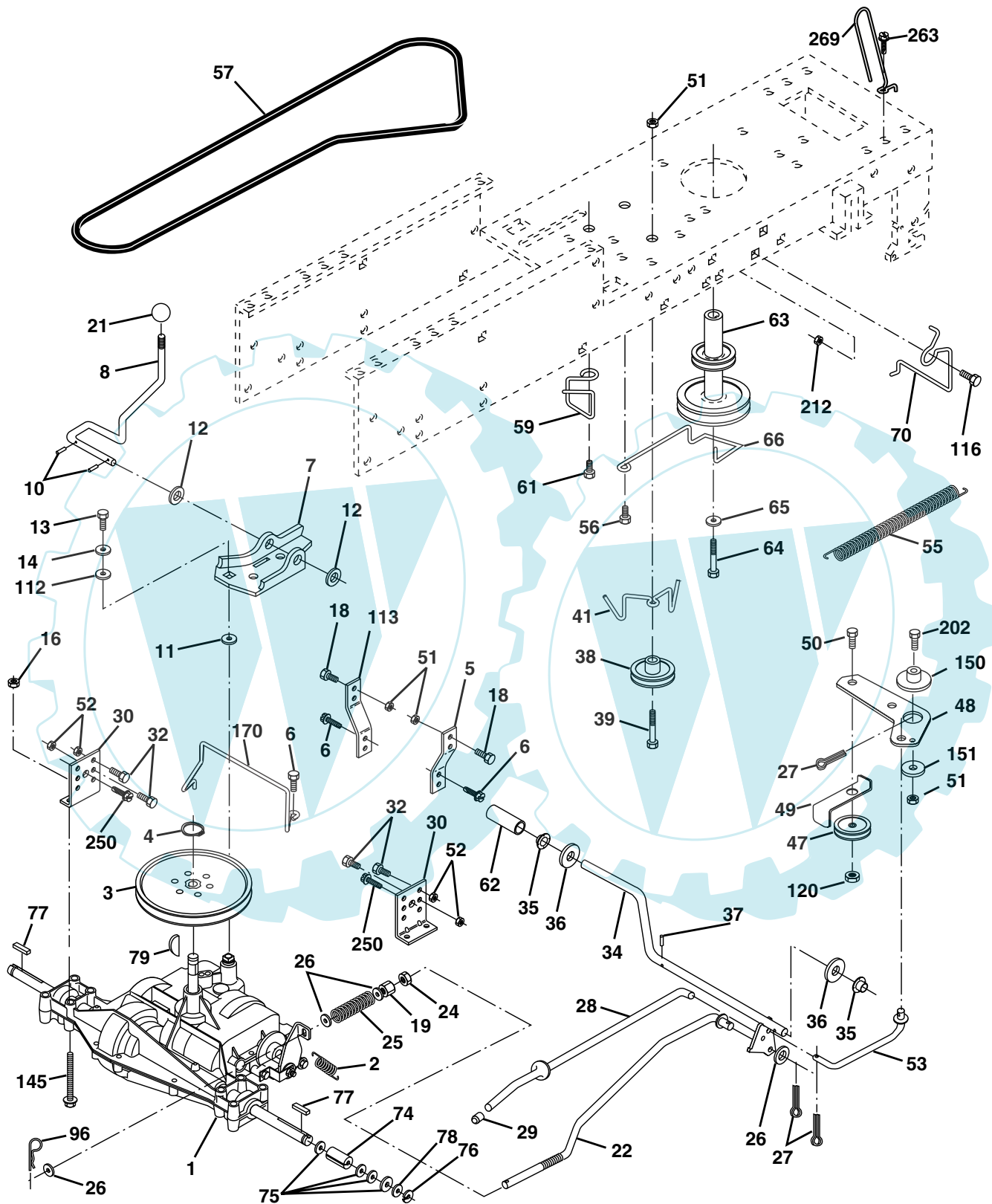
TRACTOR - MODEL NO. 13536SBK (UN13592A), PRODUCT NO. 964 79 37-00  
CHASSIS AND ENCLOSURES

KEY NO.	PART NO.	DESCRIPTION
1	532 17 46-20	Chassis Stamping
2	532 17 65-54	Drawbar
3	817 06 06-12	Screw 3/8-16x3/4
5	532 15 52-72	Bumper Hood/Dash
6	532 18 25-34	Saddle
8	532 15 51-38	Clip Retainer
9	532 18 54-80	Dash P/L
10	872 14 06-08	Bolt Carriage 3/8-16 x 1
11	532 17 49-96	Panel Dash Lh
13	532 18 17-19	Panel Dash Rh
15	874 18 05-12	Screw Mach Trhd 5/16-18 Unc x 3/4
16	873 51 05-00	Nut Keps 5/16-18 Unc
17	532 18 64-34	Hood
18	532 18 49-21	Bumper Hood
24	874 78 06-16	Bolt Fin Hex 3/8-16 Unc x 1 Gr. 5
25	819 13 13-12	Washer 13/32 X 13/16 X 12 Ga
26	873 80 06-00	Nut Lock Hex W/Ins 3/8-16 Unc
28	532 17 97-49	Grille/Lens
29	532 18 27-18	Lens Laser
30	532 18 25-35	Fender Footrest STLT Pnt
31	532 13 66-19	Bracket Support Fender
33	532 18 11-93	Fender Lh
34	532 18 11-94	Footrest RH
35	872 11 06-06	Bolt Rdhd Sqnk 3/8-16 x 3/4
37	817 49 05-08	Screw Thdrol 6/16-18 x 1/2 TYT
38	532 17 57-10	Bracket, Asm. Pivot, Mower Rear
39	532 17 47-14	Bracket Pivot Laser
145	532 15 65-24	Rod Pivot Chassis/Hood
166	532 17 18-75	Screw HWHD Hi-Low #13-16 x 3/4
205	817 49 06-08	Screw Thdrol 3/8-16 x 1/2
206	532 17 01-65	Bolt Shoulder 5/16-18 TT
208	817 67 06-08	Screw Thdrol 3/8-16 x 1/2
209	817 00 06-12	Screw Hexwsh Thdrol 3/8-16 x 3/4
212	532 17 51-43	Insert Lens Reflect
--	532 00 54-79	Plug Button

**NOTE:** All component dimensions given in U.S. inches  
1 inch = 25.4 mm

# REPAIR PARTS

TRACTOR - MODEL NO. 13536SBK (UN13592A), PRODUCT NO. 964 79 37-00  
DRIVE



# REPAIR PARTS

**TRACTOR - MODEL NO. 13536SBK (UN13592A), PRODUCT NO. 964 79 37-00  
DRIVE**

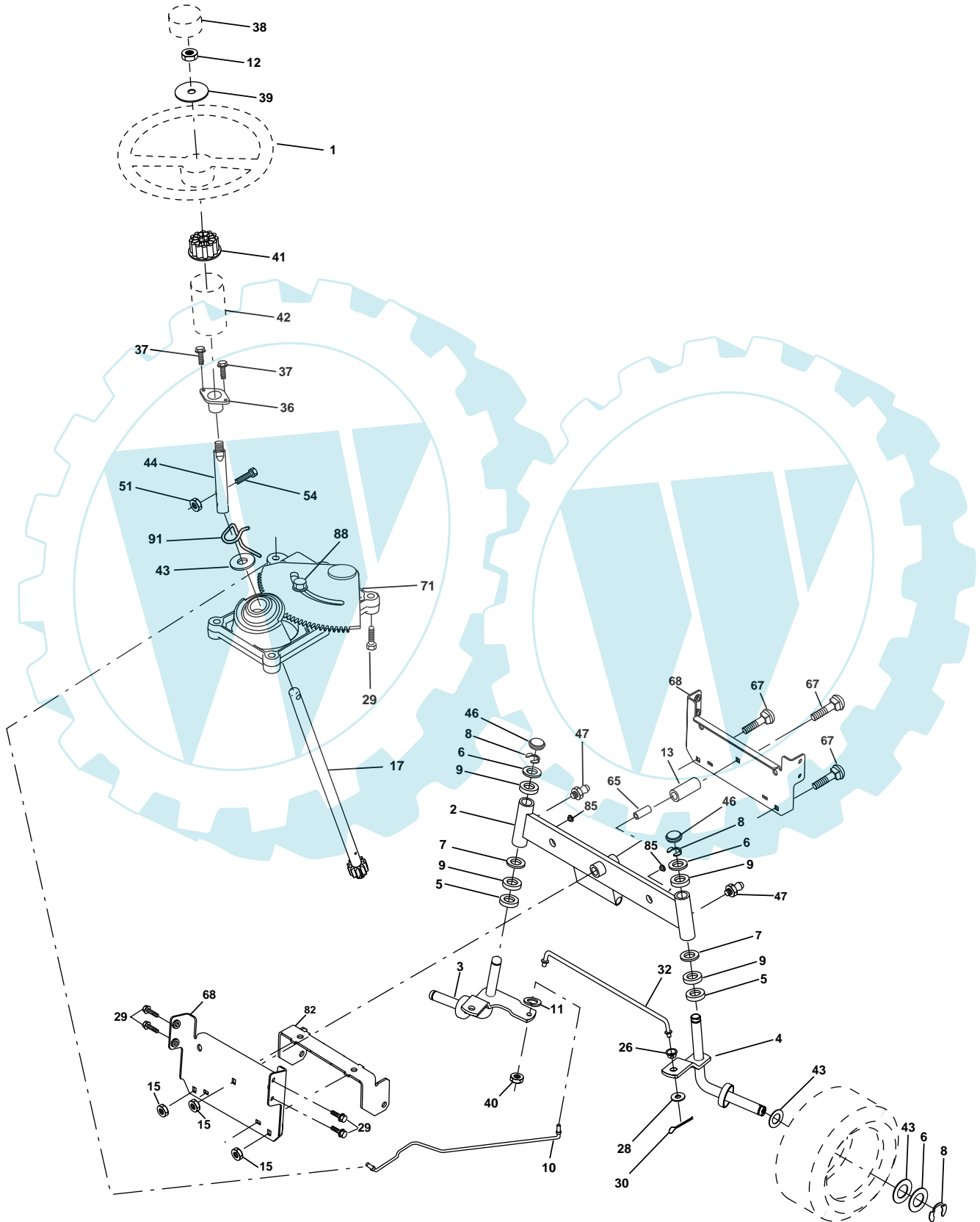
KEY PART NO. NO.	DESCRIPTION	KEY PART NO. NO.	DESCRIPTION
1	----- Transaxle, Peerless 205-544C (Order Parts From Transaxle Manufacturer)	51	873 68 06-00 Nut Crownlock 3/8-16 Unc
2	532 14 66-82 Spring Return Brake T/a Zinc	52	873 68 05-00 Nut Crownlock 5/16-18 Unc
3	532 12 36-66 Pulley Transaxle 18" tires	53	532 10 57-10 Link Clutch
4	812 00 00-28 Ring Retainer # 5100-62	55	532 10 57-09 Spring Return Clutch 6 75
5	532 12 15-20 Strap Torque 30 Degrees	56	817 06 06-20 Screw 3/8-16 x 1-1/4
6	817 06 05-12 Screw Thdrol 5/16-18 X 3/4 TYT	57	532 13 08-01 V-Belt Ground Drive 95 25
7	532 16 22-40 Bracket Saddle Shift T/a	59	532 16 96-91 Keeper Belt Span Ctr
8	532 13 16-79 Rod Shift Sdl LY/YT Str Blk	61	817 12 06-14 Screw 3/8-16 x .875
10	876 02 04-16 Pin Cotter 1/8 X 1 Cad	62	532 12 48-72 Cover Pedal
11	532 10 57-01 Washer Plate Shf 388 Sq Hole	63	532 18 02-19 Engine Pulley LT/YT
12	819 15 12-16 Washer 15/32 x 3/4 x 16 Ga	64	871 17 07-64 Bolt Hex
13	874 55 04-12 Bolt 1/4-28 Unf Gr 8 W/Patch	65	810 04 07-00 Washer Lock Hvy Hlcl Spr 7/16
14	810 04 04-00 Washer Lock Hvy Helical 1/4	66	532 15 47-78 Keeper Belt Engine Foolproof
18	874 78 06-16 Bolt, Fin Hex 3/8-16 UNC x 1 Gr. 5	70	532 18 02-18 Guide Belt Mower Drive RH
19	873 80 06-00 Nut Lock 3/8-16 Unc	74	532 13 70-57 Spacer Axle
21	532 10 69-33 Knob Rd 1/2-13 Plstc Thds	75	532 12 17-49 Washer 25/32 X 1 1/4 X 16 Ga
22	532 13 08-04 Rod Brake Blk Zinc 26 840	76	812 00 00-01 E-ring #5133-75
24	873 35 06-00 Nut Hex Jam 3/8-16 Unc	77	532 12 35-83 Key Square 2 0 X 1845/ 1865
25	532 10 68-88 Spring Rod Brake 2 00 Zinc	78	532 12 17-48 Washer 25/32 X 1-5/8 X 16 Ga
26	819 13 13-16 Washer 13/32 X 13/16 X 16 Ga	79	532 12 50-96 Key Woodruff #9 3/16 x 3/4
27	876 02 04-12 Pin Cotter 1/8 X 3/4 Cad	96	532 12 47-88 Retainer Spring 1"
28	532 17 57-65 Rod Brake Parking LT/YT	112	819 09 12-10 Washer 9/32 x 3/4 x 10 Ga.
29	532 07 16-73 Cap Brake Parking Black	113	532 12 72-85 Strap Torque LT
30	532 17 49-73 Bracket Mtg Transaxle	116	872 14 06-08 Bolt Rdhd Sq Neck 3/8-16 x 1
32	874 76 05-12 Bolt Hex Hd 5/16-18unc X 3/4	120	873 90 06-00 Nut Lock Flg. 3/8-16
34	532 17 55-78 Shaft Asm Pedal Foot	145	874 49 05-40 Bolt Hex Flg Hd 5/16-18 Gr 5
35	532 12 01-83 Bearing Nylon Blk 629 Id	150	532 17 54-56 Spacer Retainer
36	819 21 16-16 Washer 21/32 X 1 X 16 Ga	151	819 13 32-10 Washer 13/32 x 2 x 10 Ga.
37	532 12 49-63 Pin Roll 3/16 X 1"	170	532 17 83-94 Keeper Belt T/A
38	532 17 91-14 Pulley Idler	202	872 11 06-14 Bolt Carr Sh 3/8-16 x 1-3/4 Gr 5
39	874 76 06-48 Bolt 3/8-16 unc X 3	212	532 14 52-12 Nut Hex Flg Lock
41	532 17 55-56 Keeper Belt Idler Flat	250	817 06 06-12 Screw 3/8-16 x 3/4
47	532 12 77-83 Pulley Idler V Groove Plastic	263	817 00 06-12 Screw Hexwsh Thdr 3/8-16 x 3/4
48	532 15 44-07 Bellcrank Clutch Grnd Drv Stl	269	532 18 24-02 Guard Muffler RH
49	532 12 32-05 Retainer Belt Style Spring		
50	872 11 06-12 Bolt Carr Sh 3/8-16 x 1-1/2 Gr. 5		

**NOTE:** All component dimensions given in U.S. inches  
1 inch = 25.4 mm



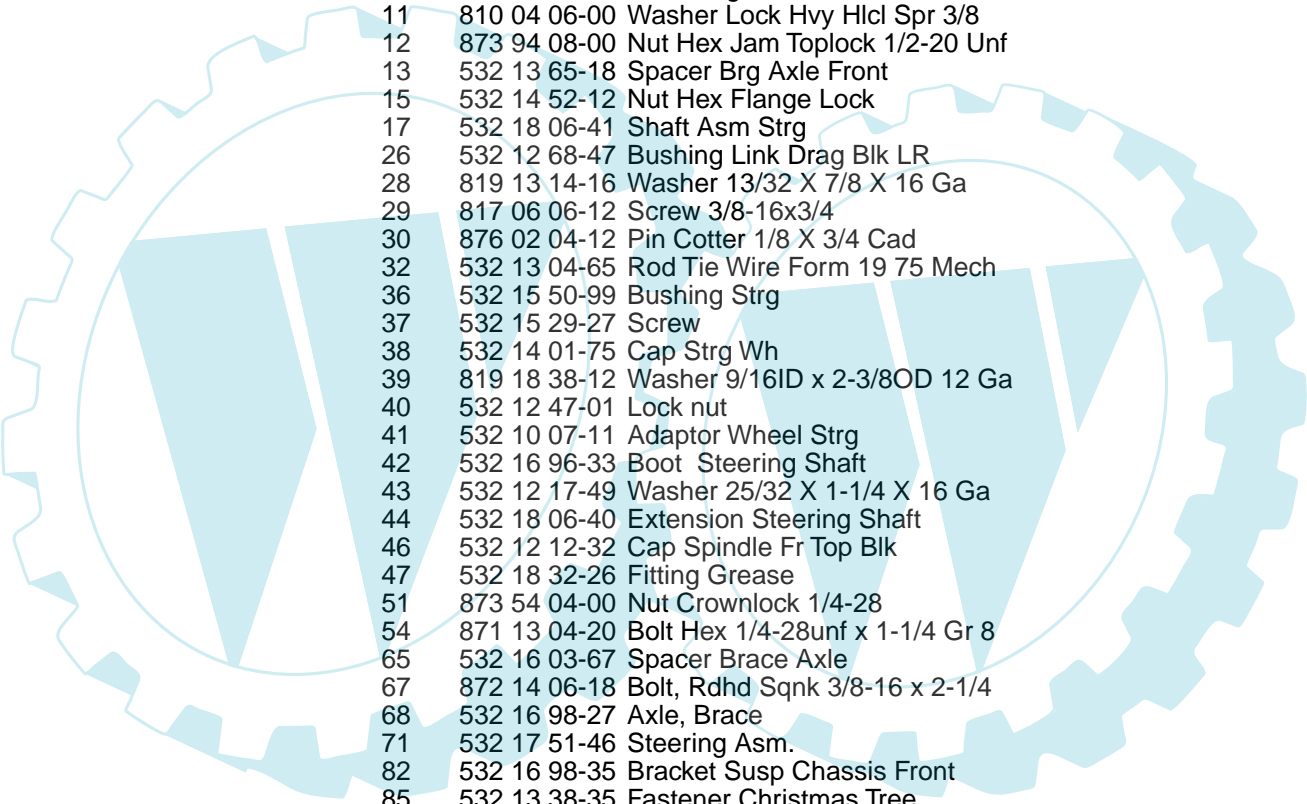
# REPAIR PARTS

TRACTOR - MODEL NO. 13536SBK (UN13592A), PRODUCT NO. 964 79 37-00  
STEERING ASSEMBLY



## REPAIR PARTS

TRACTOR - MODEL NO. 13536SBK (UN13592A), PRODUCT NO. 964 79 37-00  
STEERING ASSEMBLY

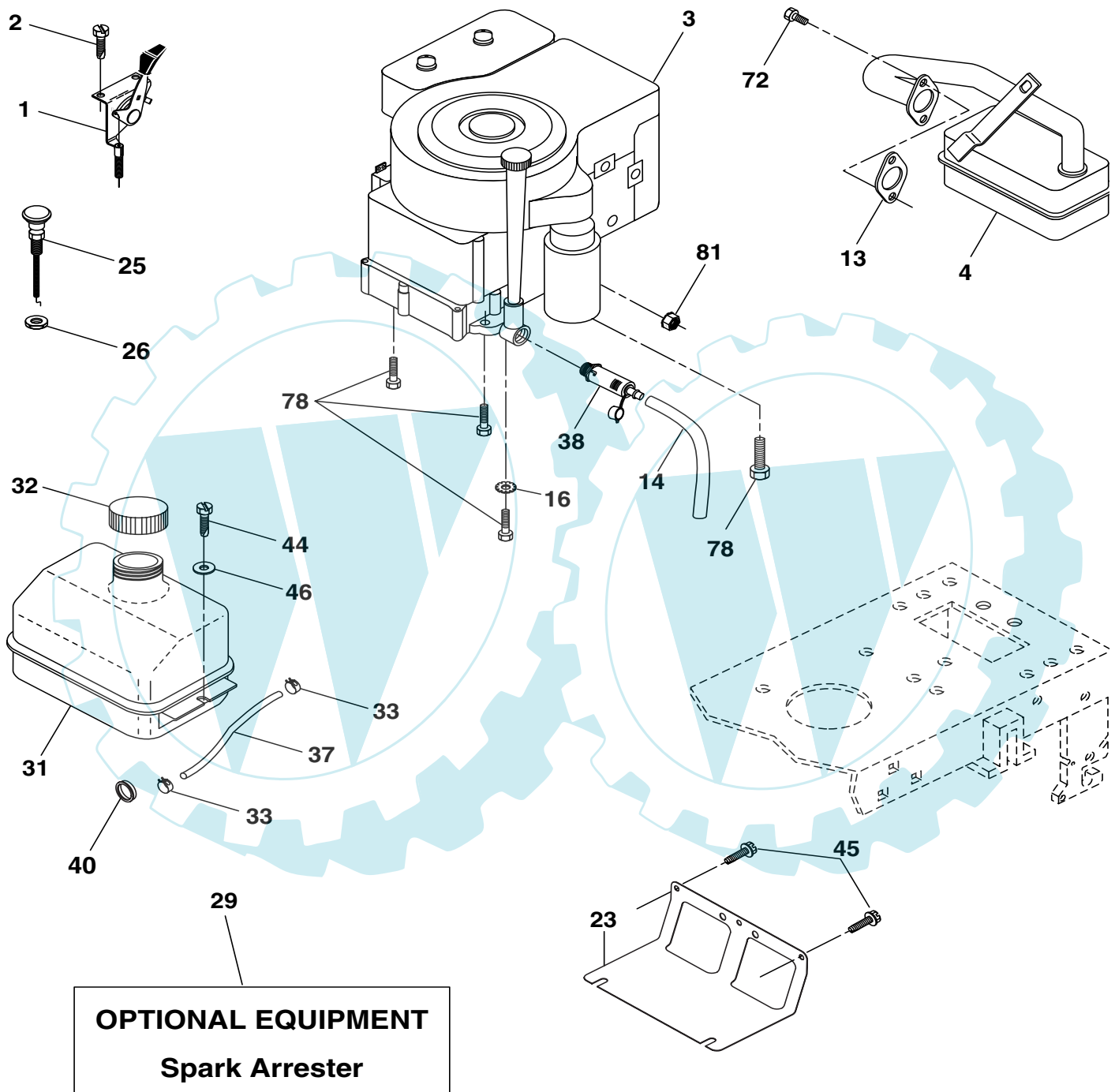


KEY NO.	PART NO.	DESCRIPTION
1	532 13 97-68	Wheel Steering
2	532 17 51-31	Axle Asm
3	532 16 98-40	Spindle Asm LH
4	532 16 98-39	Spindle Asm RH
5	532 12 49-31	Bearing Race Thrust Harden
6	532 12 17-48	Washer 25/32 X 1-5/8 X 16 Ga
7	819 27 20-16	Washer 27/32 X 1-1/4 X 16 Ga
8	812 00 00-29	Ring Klip #t5304-75
9	532 12 49-37	Bearing Col Strg Blk
10	532 17 51-21	Link Drag
11	810 04 06-00	Washer Lock Hvy Hlcl Spr 3/8
12	873 94 08-00	Nut Hex Jam Toplock 1/2-20 Unf
13	532 13 65-18	Spacer Brg Axle Front
15	532 14 52-12	Nut Hex Flange Lock
17	532 18 06-41	Shaft Asm Strg
26	532 12 68-47	Bushing Link Drag Blk LR
28	819 13 14-16	Washer 13/32 X 7/8 X 16 Ga
29	817 06 06-12	Screw 3/8-16x3/4
30	876 02 04-12	Pin Cotter 1/8 X 3/4 Cad
32	532 13 04-65	Rod Tie Wire Form 19 75 Mech
36	532 15 50-99	Bushing Strg
37	532 15 29-27	Screw
38	532 14 01-75	Cap Strg Wh
39	819 18 38-12	Washer 9/16ID x 2-3/8OD 12 Ga
40	532 12 47-01	Lock nut
41	532 10 07-11	Adaptor Wheel Strg
42	532 16 96-33	Boot Steering Shaft
43	532 12 17-49	Washer 25/32 X 1-1/4 X 16 Ga
44	532 18 06-40	Extension Steering Shaft
46	532 12 12-32	Cap Spindle Fr Top Blk
47	532 18 32-26	Fitting Grease
51	873 54 04-00	Nut Crownlock 1/4-28
54	871 13 04-20	Bolt Hex 1/4-28unf x 1-1/4 Gr 8
65	532 16 03-67	Spacer Brace Axle
67	872 14 06-18	Bolt, Rdhd Sqnk 3/8-16 x 2-1/4
68	532 16 98-27	Axle, Brace
71	532 17 51-46	Steering Asm.
82	532 16 98-35	Bracket Susp Chassis Front
85	532 13 38-35	Fastener Christmas Tree
88	532 17 51-18	Bolt Shoulder 7/16-20
91	532 17 55-53	Clip Steering

**NOTE:** All component dimensions given in U.S. inches.  
1 inch = 25.4 mm.

# REPAIR PARTS

TRACTOR - MODEL NO. 13536SBK (UN13592A), PRODUCT NO. 964 79 37-00  
ENGINE



## REPAIR PARTS

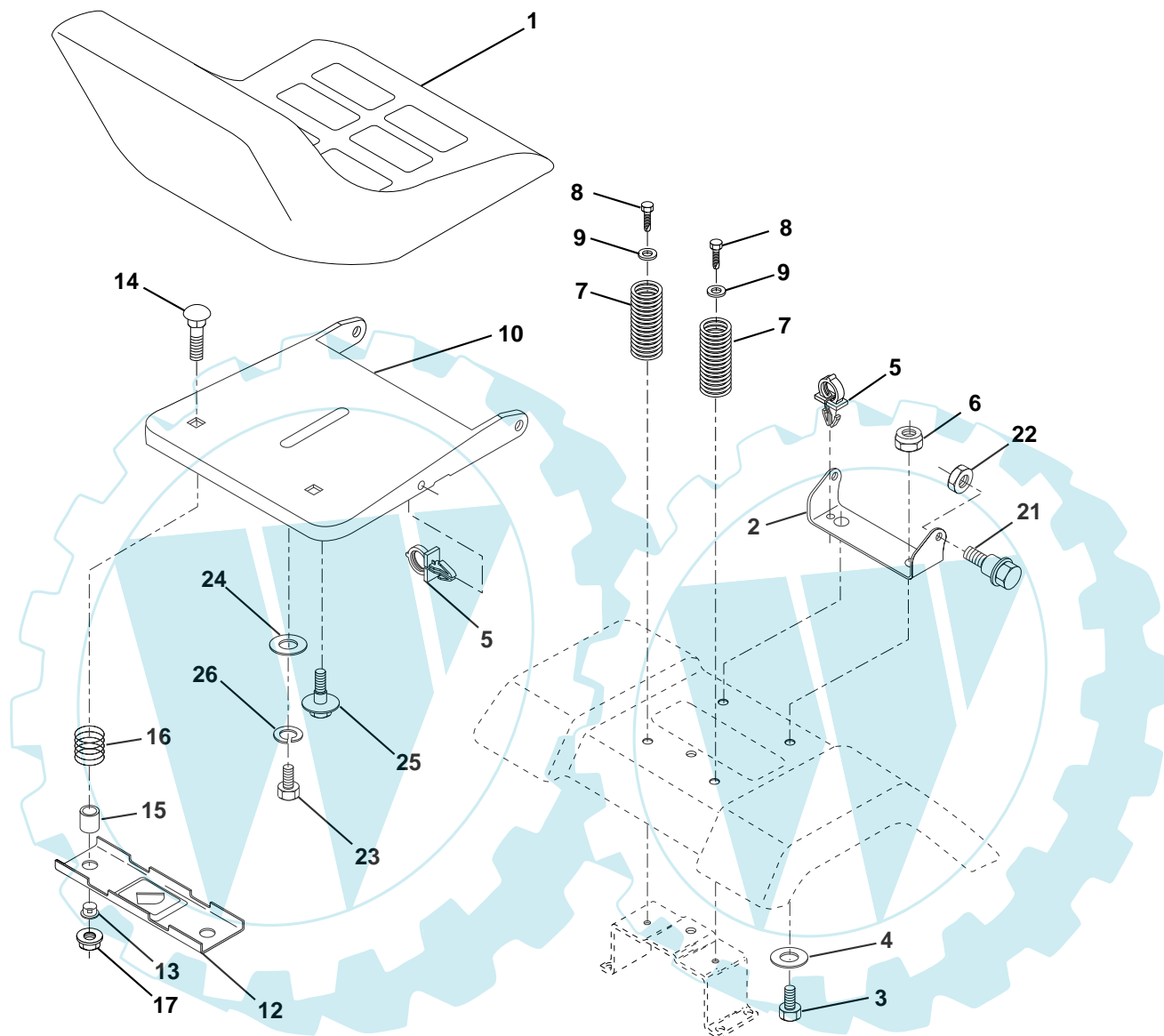
TRACTOR - MODEL NO. 13536SBK (UN13592A), PRODUCT NO. 964 79 37-00  
ENGINE

KEY NO.	PART NO.	DESCRIPTION
1	532 17 05-51	Control Th/ch Flag
2	817 72 04-08	Screw Hex Thd Cut 1/4-20 x 1/2
3	-----	Engine B&S Model No. 282H07 (Order Parts From Engine Manufacturer)
4	532 13 73-52	Muffler LT B&S
13	532 16 52-91	Gasket Eng 1 313 Id Tin Plated
14	532 14 84-56	Tube Drain Oil Easy
16	811 05 06-00	Washer Lock Ext Tooth 3/8
23	532 16 98-37	Shield Brn/Dbr Guard
25	532 18 09-45	Control Choke
26	873 92 06-00	Nut Keps 3/8-24 Unf
29	532 13 71-80	Kit Spark Arrestor (Flat Scrn)
31	532 18 49-00	Tank Fuel Front
32	532 14 05-27	Cap Asm Fuel W/sym Vented
33	532 12 34-87	Clamp Hose Black
37	532 13 70-40	Line Fuel 20"
38	532 18 16-54	Plug Drain Oil Easy
40	532 12 40-28	Bushing Snap Nyl Blk Fuel Line
44	817 67 04-12	Screw Hexwsh Thdrol 1/4-20x3/4
45	817 00 06-12	Screw Hex Wsh Thdrol 3/8-16 x 3/4
46	819 09 14-16	Washer 9/32 X 7/8 X 16 Ga
72	532 18 39-06	Screw Socket Head 5/16-18 x 1
78	817 06 06-20	Screw 3/8-16x1-1/4
81	873 51 04-00	Nut 1/4-20

**NOTE:** All component dimensions given in U.S. inches  
1 inch = 25.4 mm

# REPAIR PARTS

TRACTOR - MODEL NO. 13536SBK (UN13592A), PRODUCT NO. 964 79 37-00  
SEAT ASSEMBLY



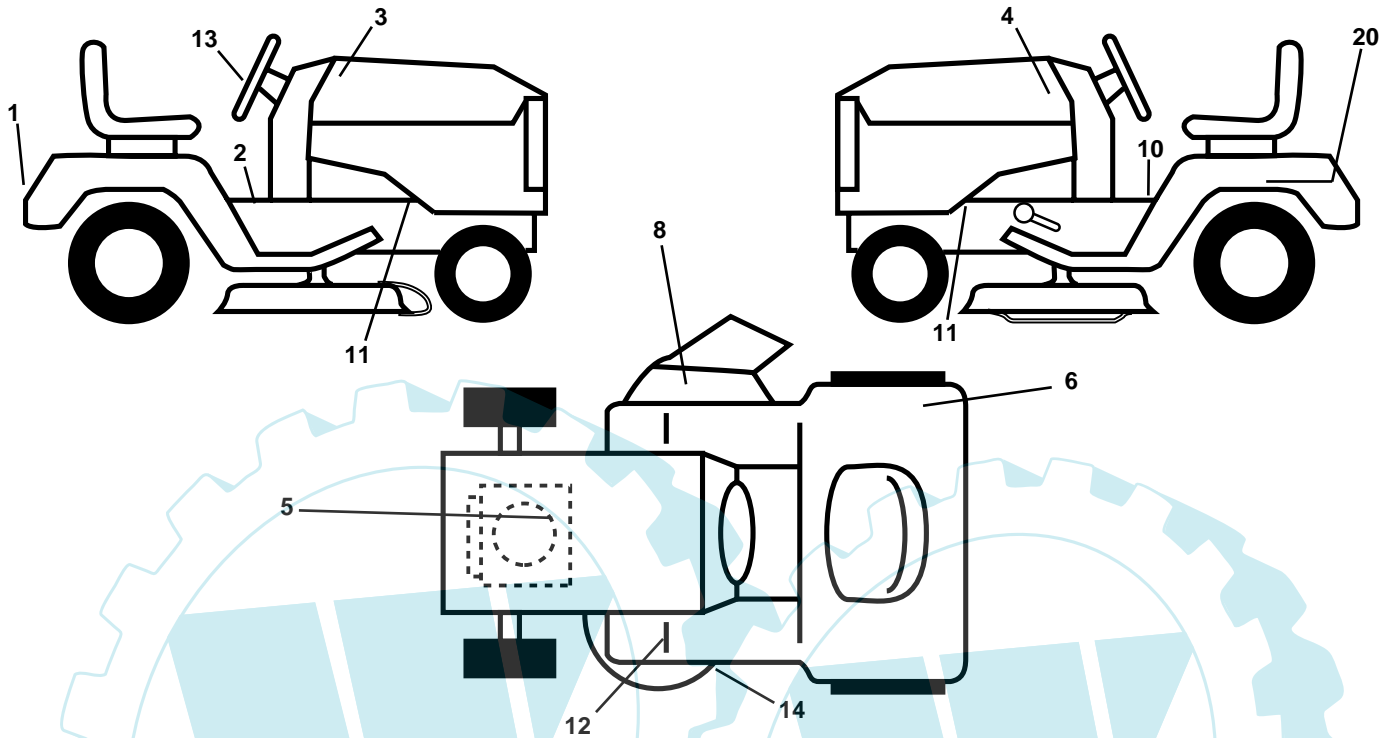
KEY NO.	PART NO.	DESCRIPTION
1	532 17 53-89	Seat
2	532 14 05-51	Bracket Pivot Seat 8 720
3	871 11 06-16	Bolt Fin Hex 3/8-16unc X 1
4	819 13 16-10	Washer 13/32 X 1 X 10 Ga
5	532 14 50-06	Clip Push-In
6	873 80 06-00	Nut Hex w/Ins. 3/8-16 Unc
7	532 12 41-81	Spring Seat Cprsn 2 250 Blk Zi
8	817 00 06-16	Screw 3/8-16 X 1-1/2
9	819 13 16-14	Washer 13/32 X 1 X 14 Ga.
10	532 18 24-93	Pan Seat
12	532 12 12-46	Bracket Mounting Switch
13	532 12 12-48	Bushing Snap Blk Nyl 50 Id

KEY NO.	PART NO.	DESCRIPTION
14	872 05 04-12	Bolt Rdhd Sqnk 1/4-20x1-1/2
15	532 13 43-00	Spacer Split 28x 96 Yel Zinc
16	532 12 12-50	Spring Cprsn 1 27 Blk Pnt
17	532 12 39-76	Nut Lock 1/4 Lge Flg Gr 5 Zinc
21	532 17 18-52	Bolt Shoulder 5/16-18 Unc
22	873 80 05-00	Nut Hex Lock W/Ins 5/16-18
23	871 11 08-14	Bolt Hex
24	819 17 19-12	Washer 17/32 X 1-3/16 X 12 Ga.
25	532 12 70-18	Bolt Shoulder 5/16-18 X 62
26	810 04 08-00	Washer Lock Hvy HLCL SPR 1/2

**NOTE:** All component dimensions given in U.S. inches.  
1 inch = 25.4 mm

# REPAIR PARTS

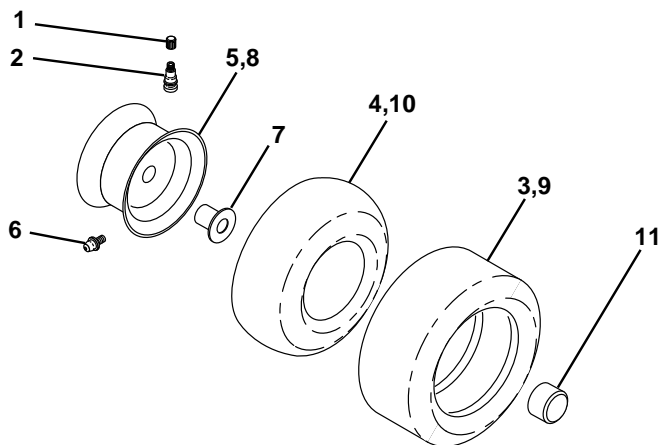
TRACTOR - MODEL NO. 13536SBK (UN13592A), PRODUCT NO. 964 79 37-00  
DECALS



KEY NO.	PART NO.	DESCRIPTION
1	532 18 24-71	Decal 100 DBA
2	532 14 08-37	Decal Saddle Brake Parking
3	532 18 58-44	Decal Hood RH
4	532 18 58-45	Decal Hood LH
5	532 18 48-44	Decal HP Engine
6	532 18 04-32	Decal Fender
8	532 18 21-66	Decal Mower Cutfingher CE 02
10	532 14 54-98	Decal Read Owner's Manual Syms.

KEY NO.	PART NO.	DESCRIPTION
11	532 15 97-36	Decal Chassis Hot Muffler
12	532 15 97-37	Decal Brake/ Clutch Symbol Lt
13	532 18 24-70	Decal Wheel Steering
14	532 13 68-32	Decal V-Belt Schematic
20	532 14 50-05	Decal Bat Dan/Psn
--	532 16 25-98	Decal Drawbar
--	532 13 83-11	Decal Handle Lift Height Adjust
--	532 18 52-36	Manual Operator's (Euro.)

## WHEELS & TIRES

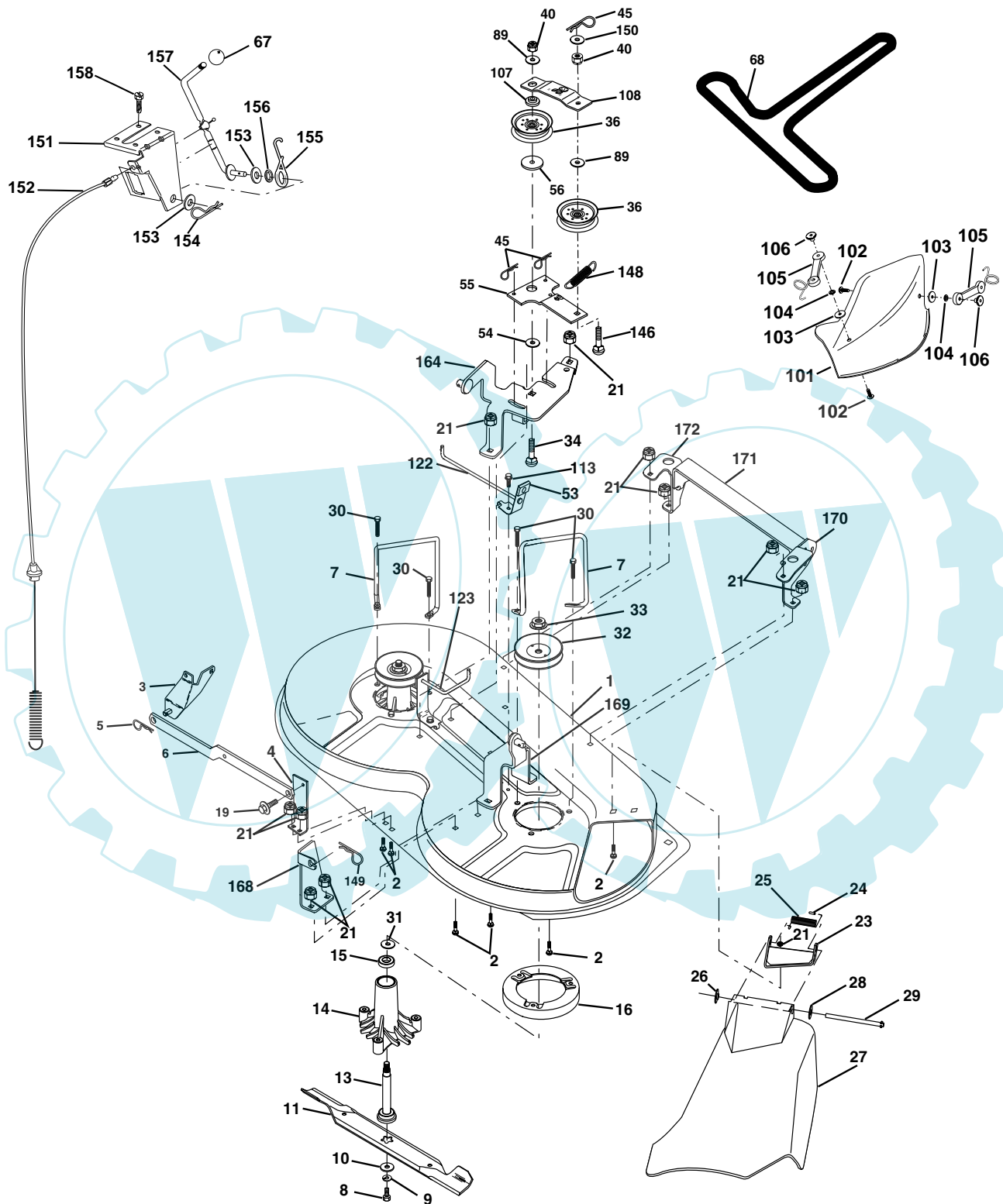


KEY NO.	PART NO.	DESCRIPTION
1	532 05 91-92	Cap Valve Tire
2	532 06 51-39	Stem Valve
3	532 10 62-22	Tire F Ts 15 X 6 0 - 6 Service
4	532 05 99-04	Tube Front (Service Item Only)
5	532 18 33-37	Rim Asm 6"front Service
6	532 12 49-57	Fitting Grease (Front Wheel Only)
7	532 12 49-59	Bearing Flange (Front Wheel Only)
8	532 18 33-38	Rim Asm 8"rear Service
9	532 12 46-35	Tire R Ts 18x9 5-8 C Service
10	532 12 49-26	Tube Rear (Service Item Only)
11	532 17 50-39	Cap Axle Blk 1 50 X 1 00
--	532 14 43-34	Sealant, Tire ( 10 oz. Tube)

**NOTE:** All component dimensions given in U.S. inches  
1 inch = 25.4 mm

# REPAIR PARTS

TRACTOR - MODEL NO. 13536SBK (UN13592A), PRODUCT NO. 964 79 37-00  
MOWER DECK



# REPAIR PARTS

**TRACTOR - MODEL NO. 13536SBK (UN13592A), PRODUCT NO. 964 79 37-00**  
**MOWER DECK**

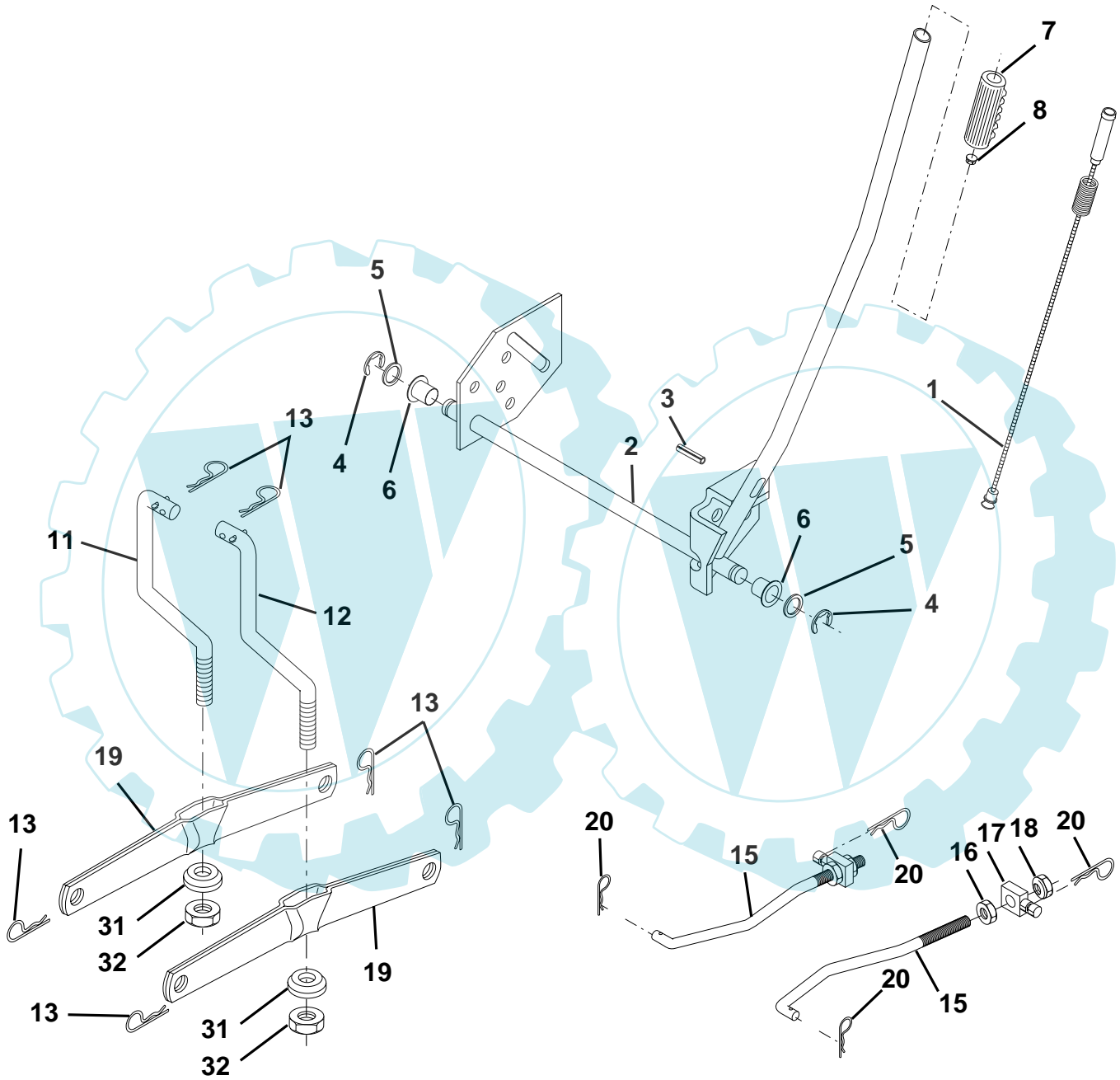
KEY NO.	PART NO.	DESCRIPTION	KEY NO.	PART NO.	DESCRIPTION
1	532 17 45-95	Mower Deck Assembly	89	819 13 16-12	Washer 13/32 x 1 x 12 Ga
2	872 14 05-06	Bolt	101	532 14 01-02	Cover Mulching
3	532 13 80-17	Bracket Assembly,Sway Bar	102	871 08 10-10	Screw Pan Hd Phillip 10-24 x 5/8
4	532 17 56-54	Bracket Sway Bar	103	819 06 12-16	Washer #10
5	532 12 46-70	Retainer Spring	104	810 07 10-00	Washer Lock # 10
6	532 17 80-24	Bar Sway Deck	105	532 16 07-93	Latch Asm.
7	532 14 06-08	Keeper Belt	106	532 12 50-04	Nut Weld
8	532 85 08-57	Bolt, Hex 3/8-24 x 1.25 Gr. 8	107	532 13 35-02	Spacer, Retainer
9	810 03 06-00	Washer, Lock Hvy Hlcl 3/8	108	532 13 35-03	Stiffener, Idler Arm
10	532 14 02-96	Washer, Hardened	113	817 49 05-08	Screw Thdrol 5/16-18 x 1/2
11	532 13 84-96	Blade, Mower	122	532 17 45-05	Rod, Brake, LH
--	532 14 01-01	Blade Mulching	123	532 17 45-04	Rod, Brake, RH
13	532 13 76-45	Shaft Assembly, Mandrel,	146	532 16 58-91	Bolt Carriage Idler
14	532 12 87-74	Housing, Mandrel, Vented	148	532 16 90-22	Spring Return Idler
15	532 11 04-85	Bearing, Ball, Mandrel	149	532 16 58-98	Retainer Spring Yellow Zinc
16	532 17 44-93	Stripper, Mower Deck	150	819 09 12-16	Washer 9/32 x 3/4 x 16 Ga.
19	532 13 28-27	Bolt, Shoulder	151	532 16 96-70	Bracket Clutch
21	873 68 05-00	Nut Crownlock 5/16-18	152	532 17 60-79	Cable Clutch
23	532 13 66-31	Bracket, Mower Deflector	153	532 16 96-74	Washer Flat 3/8" Type B
24	532 10 53-04	Cap, Sleeve	154	532 16 96-75	Spring Retainer
25	532 12 37-13	Spring, Torsion, Deflector	155	532 16 96-71	Spring Retention Lever
26	532 11 04-52	Nut, Push	156	532 16 96-72	Spacer
27	532 17 61-62	Shield, Deflector	157	532 16 96-69	Rod Clutch
28	819 11 10-16	Washer 11/32 x 5/8 x 16 Ga.	158	817 72 04-08	Screw Hex Thd Cut 1/4-20 x 1/2
29	532 12 19-80	Rod, Hinge	164	532 17 49-76	Bracket Asm Idler Support
30	532 17 39-84	Screw Thdrol	168	532 17 23-77	Bracket Deck Cable
31	532 12 99-63	Washer, Spacer	169	532 17 49-77	Bracket Asm Suspension
32	532 15 35-31	Pulley, Mandrel	170	532 17 23-59	Bracket Suspension RF
33	532 17 83-42	Nut, Toplock, Flanged	171	532 16 52-37	Bracket Support Susp. Frt
34	872 11 06-14	Bolt Rdhd 3/8-16 x 1-3/4	172	532 17 23-55	Bracket Suspension LF
36	532 13 14-94	Pulley, Idler, Flat	--	532 13 07-94	Mandrel Assembly (Includes Housing, Shaft and Shaft Hardware Only - Pulley Not Included)
40	873 68 06-00	Nut Crownlock 3/8-16	--	532 18 13-76	Replacement Mower, Complete
45	532 12 47-88	Retainer, Spring			
53	532 13 08-40	Brake Assembly			
54	532 17 85-15	Washer, Hardened			
55	532 13 38-40	Idler Arm Assembly			
56	532 16 57-23	Spacer, Retainer			
67	532 10 69-32	Knob RD 3/8-16 Plstc Thd			
68	532 18 02-13	Belt			

**NOTE:** All component dimensions given in U.S. inches  
 1 inch = 25.4 mm



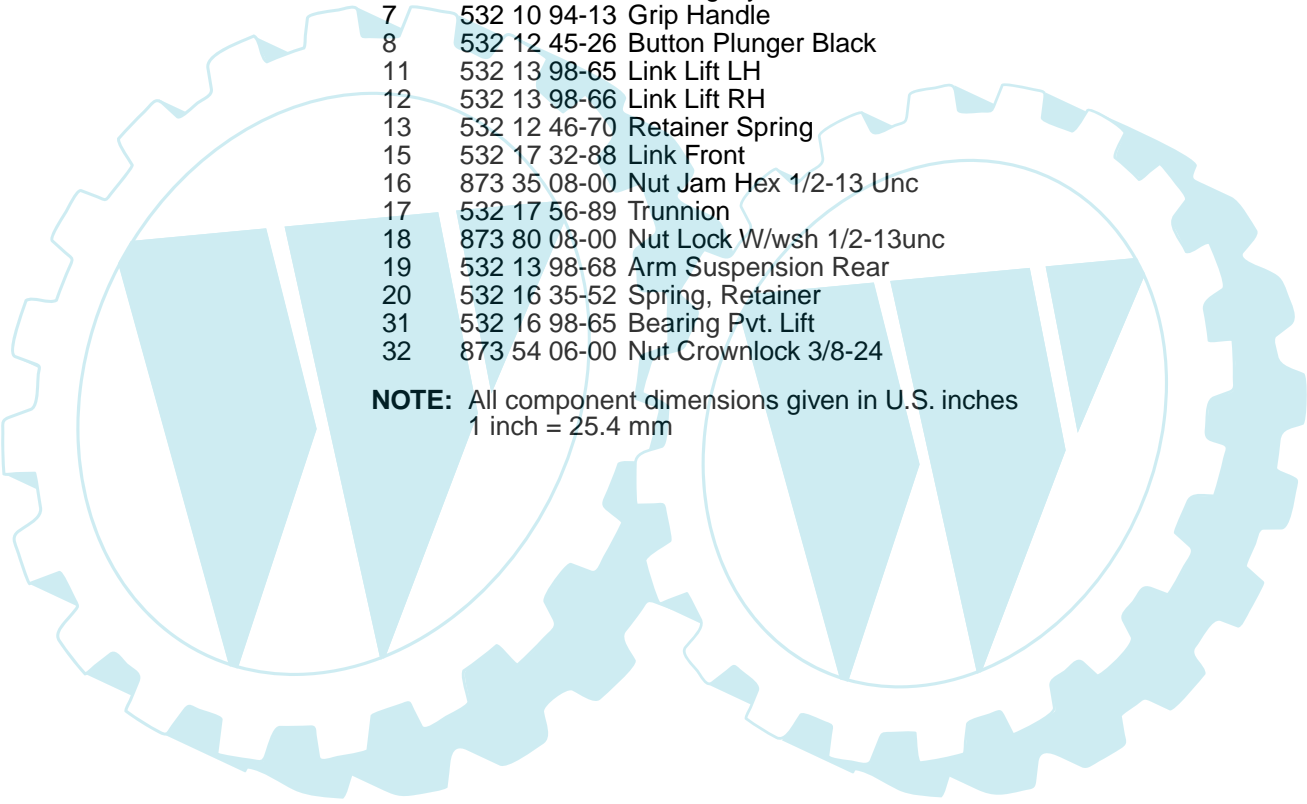
# REPAIR PARTS

TRACTOR - MODEL NO. 13536SBK (UN13592A), PRODUCT NO. 964 79 37-00  
MOWER LIFT



## REPAIR PARTS

TRACTOR - MODEL NO. 13536SBK (UN13592A), PRODUCT NO. 964 79 37-00  
MOWER LIFT



KEY NO.	PART NO.	DESCRIPTION
1	532 15 94-60	Wire Asm Inner/Spring W/plunger
2	532 15 94-71	Shaft Asm Lift
3	532 10 57-67	Pin Groove
4	812 00 00-02	E Ring #5133-62
5	819 21 16-21	Washer PLTD 21/32 X 1 X 21ga
6	532 12 01-83	Bearing Nylon Blk 629 Id
7	532 10 94-13	Grip Handle
8	532 12 45-26	Button Plunger Black
11	532 13 98-65	Link Lift LH
12	532 13 98-66	Link Lift RH
13	532 12 46-70	Retainer Spring
15	532 17 32-88	Link Front
16	873 35 08-00	Nut Jam Hex 1/2-13 Unc
17	532 17 56-89	Trunnion
18	873 80 08-00	Nut Lock W/wsh 1/2-13unc
19	532 13 98-68	Arm Suspension Rear
20	532 16 35-52	Spring, Retainer
31	532 16 98-65	Bearing Pvt. Lift
32	873 54 06-00	Nut Crownlock 3/8-24

**NOTE:** All component dimensions given in U.S. inches  
1 inch = 25.4 mm